

Biicam

DO-01



User manual for outdoor IP camera



INDEX

A. INTRODUCTION OF Biicam-DO-01

3

B. PRODUCT OVERVIEW

3

B1. PRODUCT OVERVIEW

3

B2. KIT CONTENTS

4

B3. SPECIFICATIONS

4

C. INSTALLATION GUIDE

5

C1. HARDWARE INSTALLATION

5

D. Eyeopen SETUP GUIDE

6

D1. APPLY FOR A NEW ACCOUNT

6

D2. CONNECT BiicamI TO Eyeopen

7-9

D3. OWNER SHARES THE Biicam TO OTHER USERS

10

D4. PUSH NOTIFICATION

11

E. LED light status

11

E1.LED light status

11

F. FAQ

12

FAQ

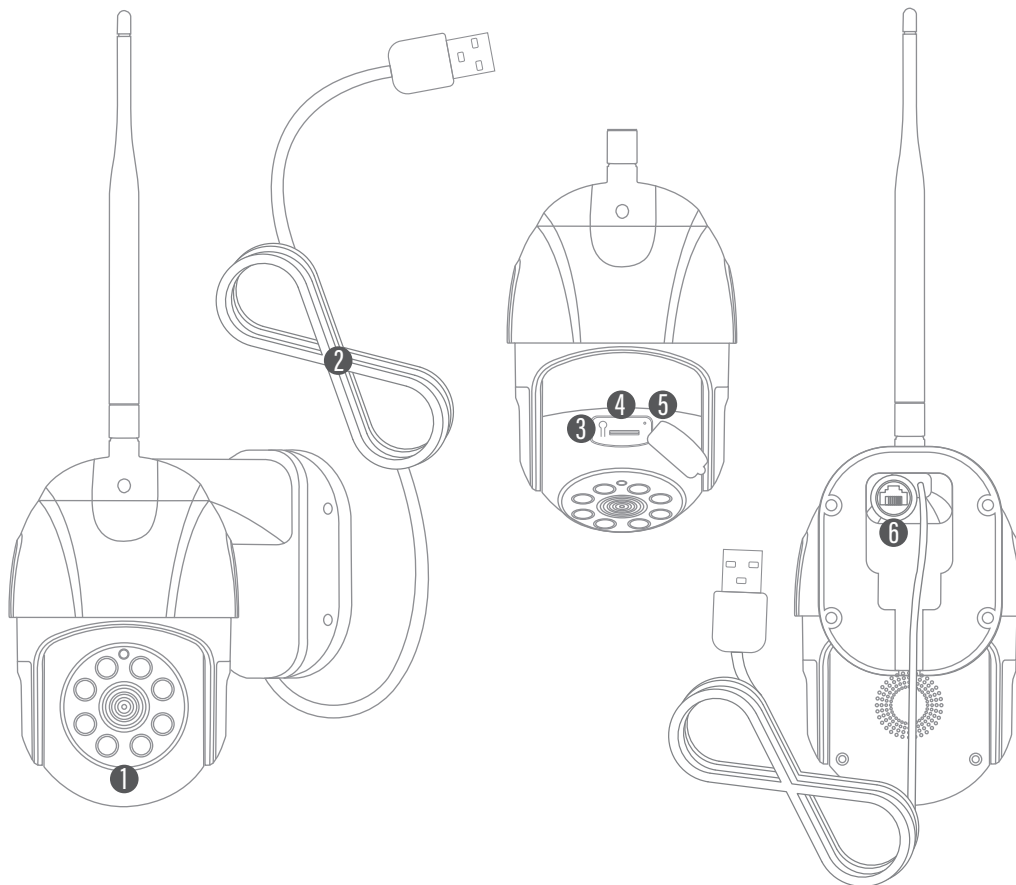
12

A. INTRODUCTION OF DO-01

DO-01 is a device which can be integrated with Eyeopen App and Eyeopen 's devices.
DO-01 will provide a live view of the site which allows you to check the environment before operation. With a micro SD card,
DO-01 can record each operation and movement for future review.

B. PRODUCT OVERVIEW

B1.PRODUCT OVERVIEW



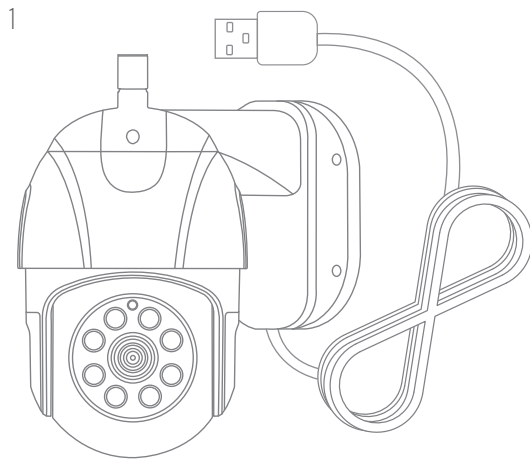
- ① IP camera
- ② Power wire

- ③ Reset button
- ④ Micro SD card slot

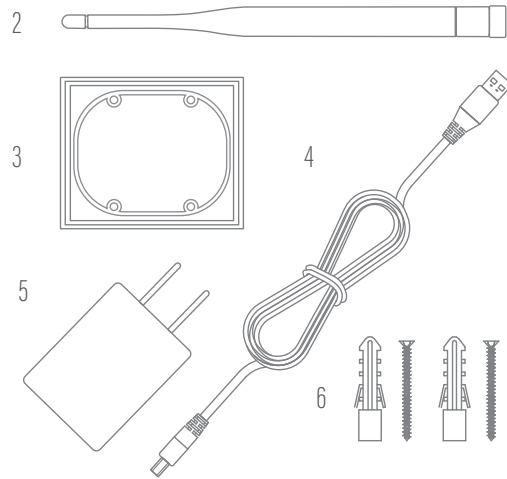
- ⑤ LED indicator
- ⑥ LAN cable connector

B2. KIT CONTENTS

▶ DO-01 ◀



▶ HARDWARE ◀



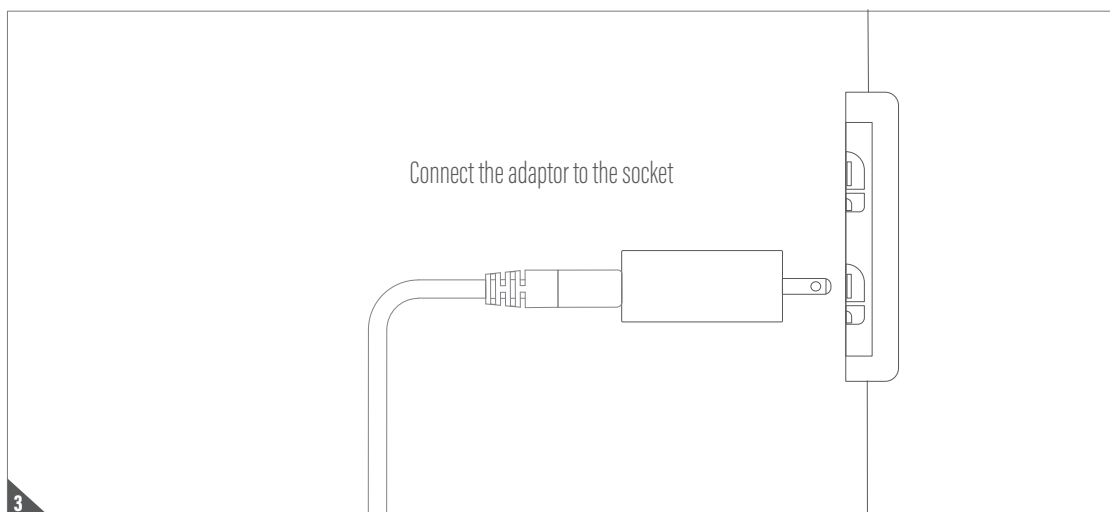
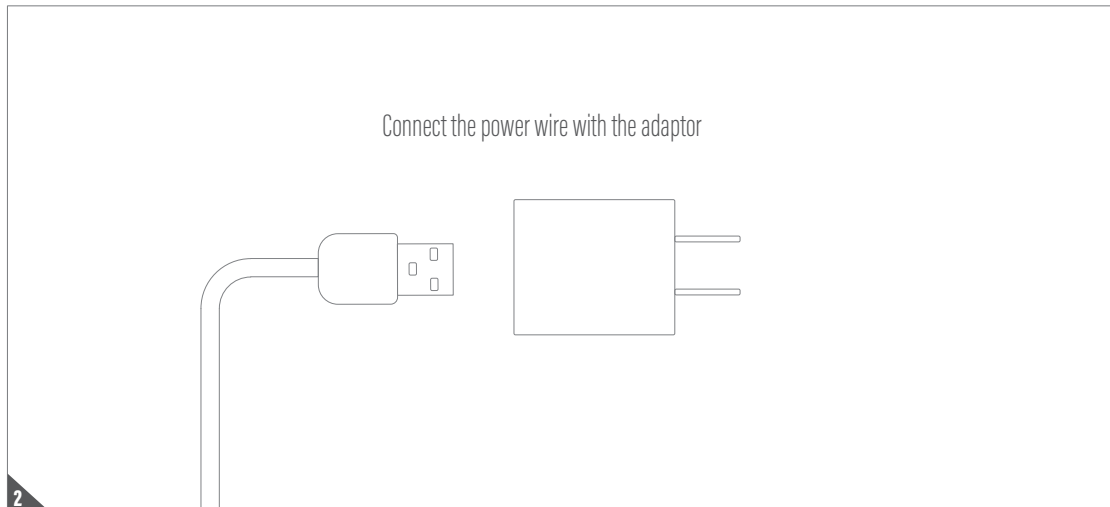
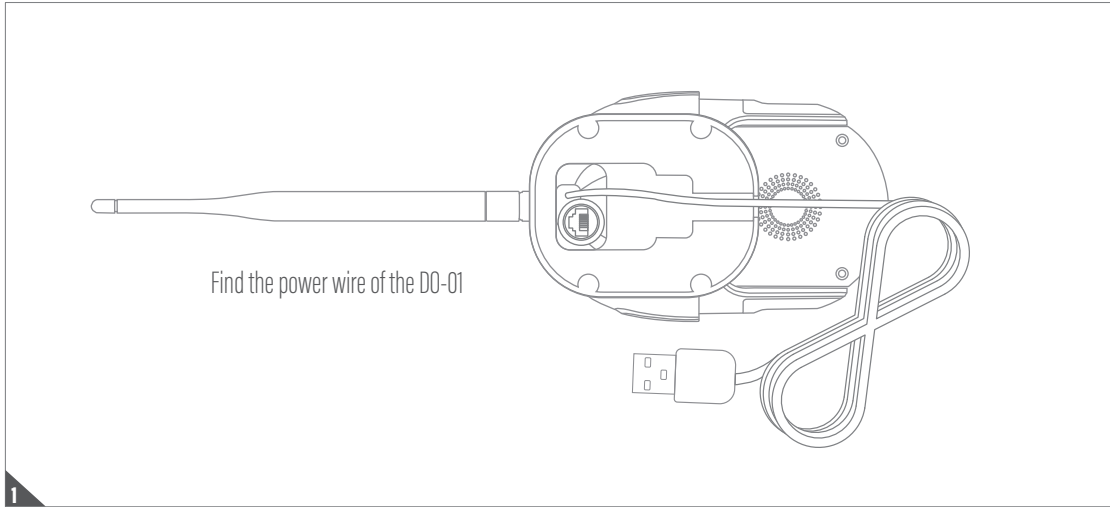
REF.	DESIGNATION	AMOUNT
1.	DO-01	1
2.	Antenna	1
3.	Position sticker	1
4.	LAN Cable	1
5.	Adaptor	1
6.	Installation kit	1

A3. SPECIFICATIONS

DO-01			
Video resolution	Full HD 1080P	Alarm	Motion Detection
Compression	H.264	Storage	Micro SD Card 128GB (SD Card Not Include)
Frame rate	1920x1080@15fps	Waterproof	IP54
Field of view	120°	Operating temperature	-10°C - 50°C
Day/night mode	ICR with IR LED	Power	Power Adapter DC 5V/1A
Connectivity	802.11b/g/n@2.4GHz		

C. INSTALLATION GUIDE

C1. HARDWARE INSTALLATION



D. Eyeopen SETUP GUIDE

D1. APPLY FOR A NEW ACCOUNT

1. Please scan the QR code and download Eyeopen.
2. Press sign up icon and press the agree icon to continue
3. Please type the following information for registration:



- a. Password (enter twice for verification)
- b. The password should have at least 1 English character and at least 8 characters/numbers in total.

1

2

3

4

5

6

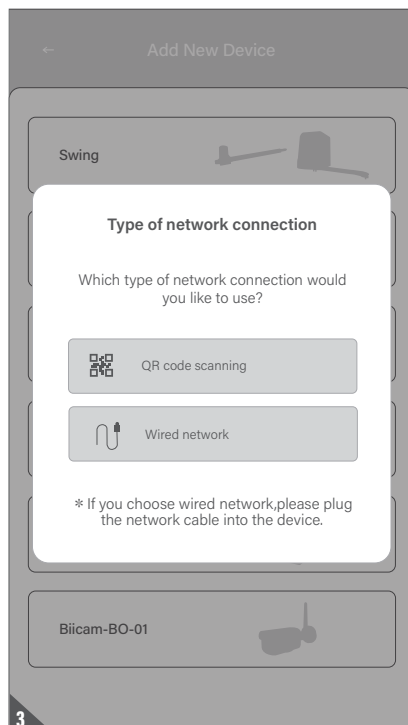
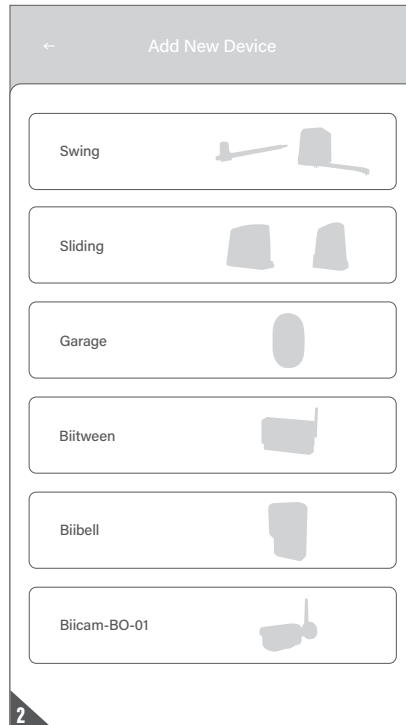
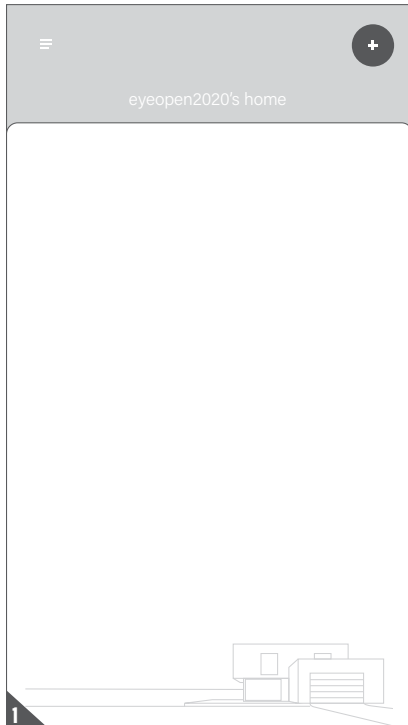
4. The system will send a link to your email when the registration succeeds
5. Please go to your email, and click the link to activate your account.
6. Please log in to your account.

D2. CONNECT Biicam TO Eyeopen

 *Make sure the Biicam is perfectly installed and powered.*

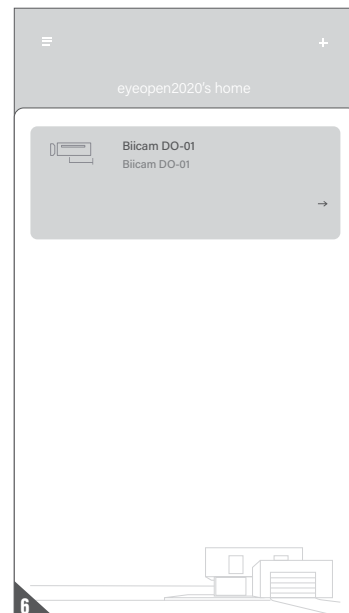
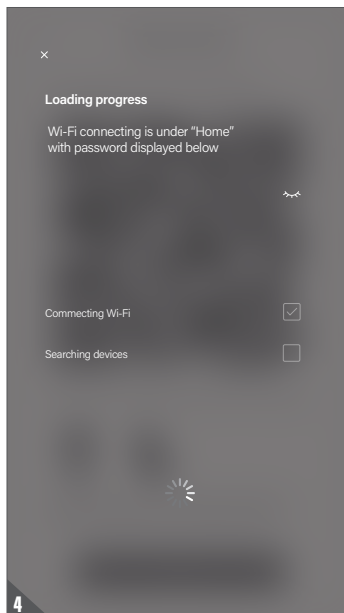
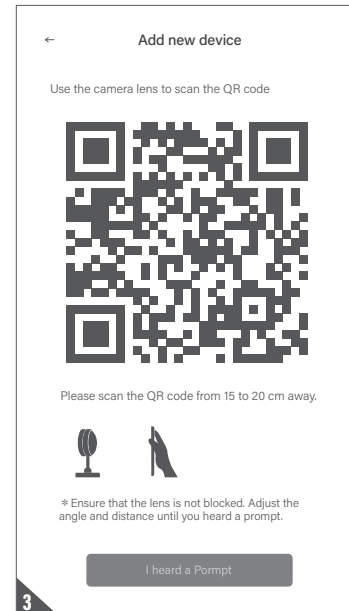
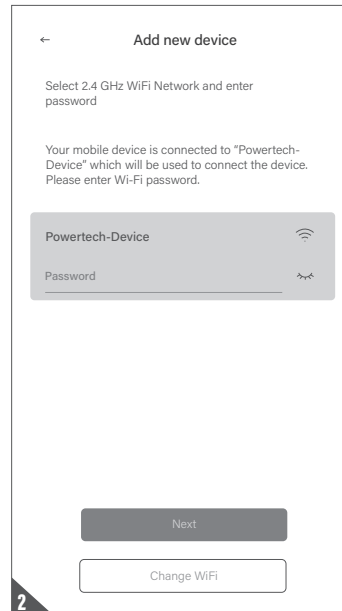
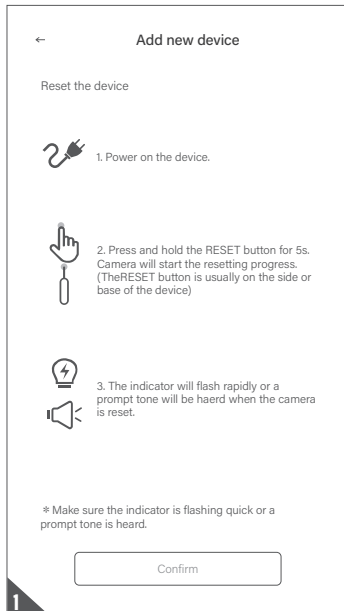
● ADD NEW Biicam

1. Tap (+) icon to add a new device
2. Tap DO-01.
3. Choose QR code scanning.

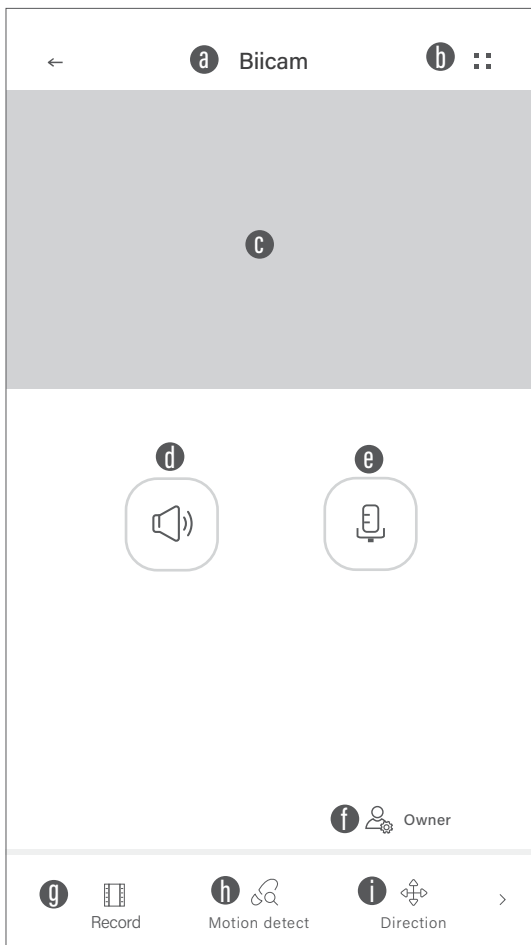


● Connect the DO-01 to Wi-Fi

1. Follow the indication to reset DO-01.
2. Enter the Wi-Fi password and press **"Next"** to create a QR code.
3. Scan the QR code with DO-01. Once DO-01 scanned the QR code, it will sound once and press "I hear a Prompt".
4. System will start to connect to Wi-Fi.
5. Name the device.
6. When the setting is complet . DO-01 will show on the main page



● OPERATION INTERFACE OF Biicam



- a Device name
- b Setting page
- c Real-time view
- d Speaker
- e Mic
- f Owner/Manager/User
- g Recorded Videos (only with Micro SD card)
- h Motion detection
- i Rotation

D3. OWNER SHARES THE DI-01 TO OTHER USERS

1. Please go to the operation page and tap the setting page icon (::)
2. Tap (Device sharing)
3. Tap (Create new group) icon
4. Name your group and determine a time period
5. Add user by entering Eyeopen accounts
6. The group icon will show at the (Device sharing) page



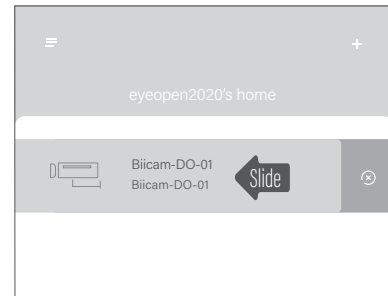
E. FAQ

Question 1

How to reset DO-01 to default setting?

Answer 1

1. Delete the Biicam on the Eyeopen App by sliding the DO-01 icon and press the delete icon.
2. Press the reset button for 10 seconds .



Question2

Can not see the view after DO-01 has already completed the Wi-Fi connect ion.

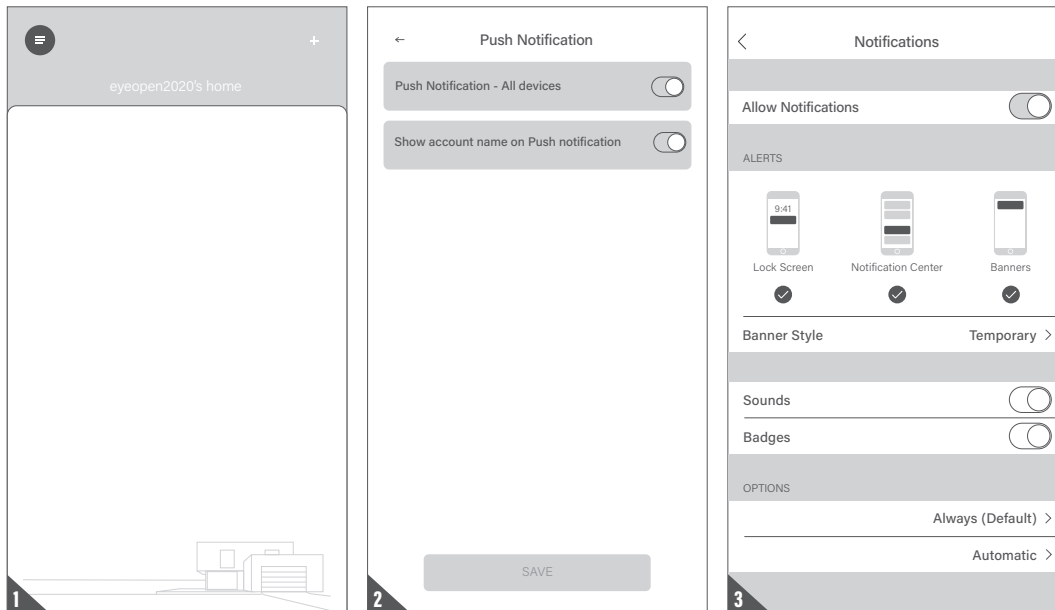
Answer 2

1. Make sure your Wi-Fi is functional.
2. Un-plug and reconnect the power plug of DO-01.
3. Check if you enter the PIN code at the device page.

D4. PUSH NOTIFICATION

1. Press the icon on the upper left corner to enter the account management page.
2. Tap the push notification setting.
3. Turn **ON** the switches of the notification.

 Please go to the settings page of your smartphone. Find Eyeopen and allow the notifications.



E. LED light status

E1. LED light status

LIGHT STATUS	CAMERA STATUS
Red light on	Camera is powered on
Red and blue light alternately flashing	Waiting to connect now
Blue light flashing	Camera is connecting Wi-Fi
Blue light solid	Succeeded to connect Wi-Fi
Red light quickly flashing	1. Reset camera to factory setting
	2. Camera is upgrading firmware